



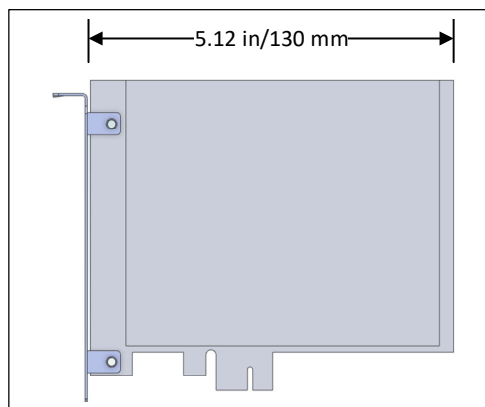
PCIe x4 Slot Expansion Element

The PCIe x4 Slot Expansion Element supports a full height PCIe adapter plus up to 4 serial ports. IO bus adapters can be installed that support virtually any IO bus used in industrial applications. 5Gb and 10Gb Ethernet or USB 3.2 Gen 2 adapters can be installed for machine visual applications. The range of hardware connection solutions is almost endless by installing a PCIe adapters into the Expansion Element. The Expansion Element supports up to 2 RS232 serial port devices for additional connection options.



PCIe x4 Slot Specifications

- PCIe x4 Gen 3 (Gen 8 and Gen 11 Compute Elements – All CPU Models)
- Support Full height expansion card with maximum length of 130 mm
- Standard Power 3.3 V, $\pm 5\%$ @ 2.5A
- Optional External Power – 12V $\pm 10\%$ @ 2.1A
- Optional Internal Power – 3.3 V, $\pm 9\%$ @ 3.0A
12 V $\pm 8\%$ @ 2.1A
- Optional 1 or 2 DB-9 Connector RS232 Serial Ports
- Supports NUC Innovations Internal LTE adapters
 - o LTE CAT M, CAT1 and CAT4
 - o GPS Support with all options



Order Code	Description
90008-00	Intel AB OPEN IO Base - No IO Shield
90009-00	Intel AB PCIe x4 Full Height Slot IO Shield Kit – Note 1
90015-00	External 100-240V, 12V - 7A AC-DC Power Supply
90016-00	Internal 12V~24V DC Input, 12V - 2.1A, 3.3V - 3.0A Output
20030-00	Serial Port Cable - Intel Austin Beach

Note 1: Refer to NUC Innovations LTE Adapters Brochure V1-1 for LTE information and order codes.